

PUNTO Y COMA PREMIUM

Technical Information

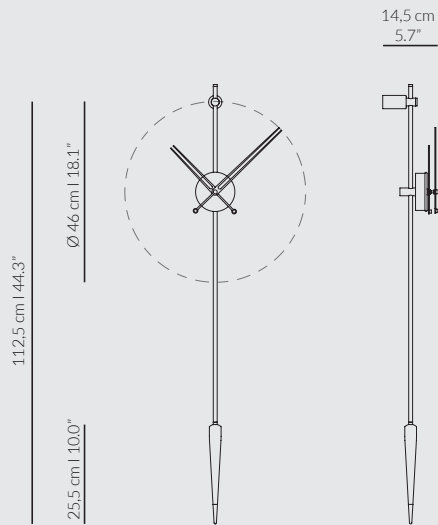
nomon
JEWELRY FOR HOME

PUNTO Y COMA PREMIUM

Technical Information

nomon
JEWELRY FOR HOME

TECHNICAL DRAWINGS



MATERIALS

BOX / CAJA

Walnut or oak wood / *Madera de nogal o roble*

HANDS / AGUJAS

Walnut wood and polished brass / *Madera de nogal y latón pulido*

Oak wood and black finished brass / *Madera de roble y latón acabado negro*

PENDULUM / PÉNDULO

Walnut wood and polished brass / *Madera de nogal y latón pulido*

Oak wood and black finished brass / *Madera de roble y latón acabado negro*

MECHANISM / MECANISMO

UTS German / *UTS alemán*



POLISHED
BRASS



WALNUT
WOOD



OAK
WOOD



BLACK
FINISH BRASS

PACKAGING

Weight / *Peso*: 1.70 Kg | 1,70 Kg

Net weight / *Peso neto*: 0.60 Kg | 0,60 Kg

Volumetric weight / *Peso volumétrica*: 3.80 Kg | 3,80 Kg

Dimensions / *Dimensiones*: 7.5" x 49.2" x 3.1" | 19cm x 125cm x 8cm

