



# LINEA H

## Pendant Light

nomon  
JEWELRY FOR HOME

### ILUMINACIÓN

#### LIGHT SOURCE

Light source: LED Monocolor

Power: 14W

Voltage: 220V (standard)

Nominal Luminous Flux: 1150lm

CRI: >95

Deviation (SDCM): 3 step MacAdam ellipse

Color temperature: 2700K

Light emission 120°



### MATERIALES

#### MATERIALS

Nogal natural, madera de fresno teñido negro o roble.

*Natural walnut, black stained ash or natural oak.*

Metal acabado latón o grafito.

*Brass or graphite finished metal.*



Nogal  
Walnut



Fresno negro  
Stained ash



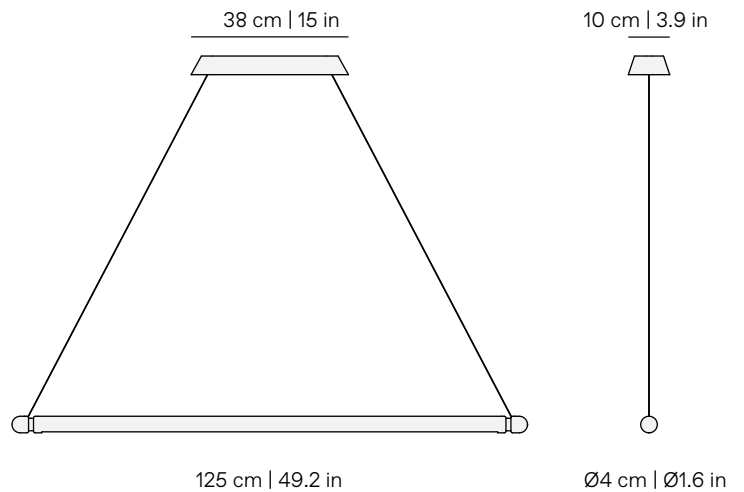
Roble  
Oak



Acabado latón  
Brass finish



Acabado grafito  
Graphite finish



### PACKAGING

**Peso:** 3,3 kg

**Dimensions (cm):** 7,5x68,5x3,2

**Volumetric weight:** 1,7 kg

**Weight:** 3,3 kg

**Dimensions (cm):** 7,5x68,5x3,2

**Volumetric weight:** 1,7 kg

