



# AXIS SHELVING SYSTEM

It is a modular system consisting of shelves and rods of different sizes. The system stands thanks to 2 or 3 axis in which you can alternate different shelves, providing strength and flexibility to the structure at the same time. It's a very versatile collection that allows installation in any position, with only 2 or 3 wall fixing points.

## MATERIAL

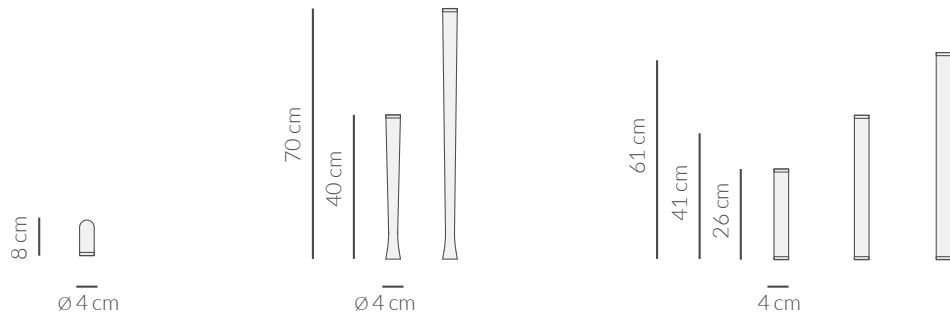
Rods & terminals: Natural solid walnut with brass finished metal details.

Shelves: Natural walnut veneered MDF wood.

Wall anchorage and bases: Brass finished metal.

Manufactured in Spain following artisanal methods.

1. Terminal
2. Rods
3. Shelves



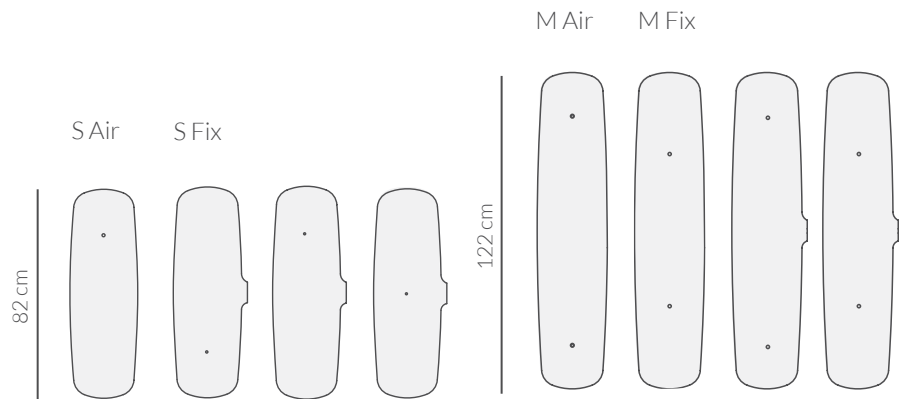
## FINISHES



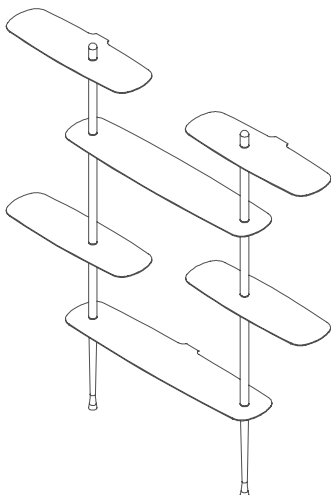
Nogat  
Walnut



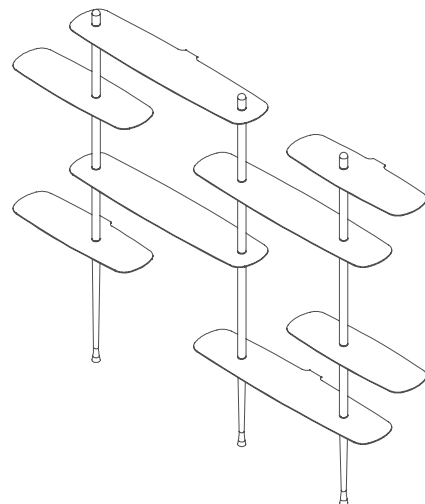
Acabado latón  
Brass finish



## AXIS 2



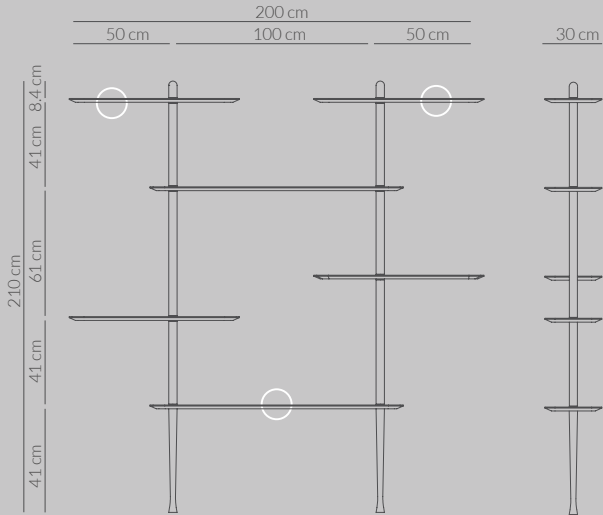
## AXIS 3



# AXIS SHELVING SYSTEM

## AXIS 2

Dimensiones: 200cm (width) x 200cm (Height)



2 Shelves S Air  
 2 Shelves S Fix  
 1 Shelves M Air  
 1 Shelves M Fix

## PACKAGING

### S Shelf

4 x  
 Weight: 3 kg  
 Dimensions (cm): 35x90x7  
 Volumetric weight: 4,4 kg

### M Shelf

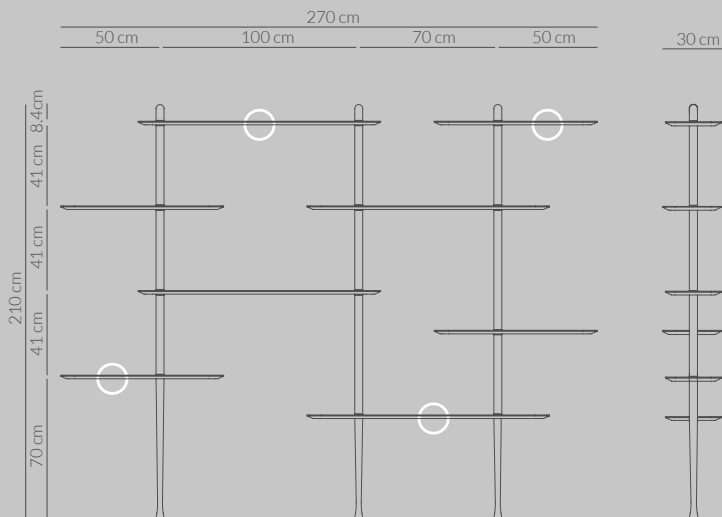
2 x  
 Weight: 4,3kg  
 Dimensions (cm): 35x130x7  
 Volumetric weight: 6,4 kg

### Rods

1 x  
 Weight: 4,3kg  
 Dimensions (cm): 35x90x7  
 Volumetric weight: 4,4 kg

## AXIS 3

Dimensiones: 270cm (width) x 200cm (Height)



2 Shelves S Air  
 2 Shelves S Fix  
 2 Shelves M Air  
 2 Shelves M Fix

## PACKAGING

### S Shelf

4 x  
 Weight: 3 kg  
 Dimensions (cm): 35x90x7  
 Volumetric weight: 4,4 kg

### M Shelf

4 x  
 Weight: 4,3kg  
 Dimensions (cm): 35x130x7  
 Volumetric weight: 6,4 kg

### Rods

1 x  
 Weight: 7kg  
 Dimensions (cm): 35x90x7  
 Volumetric weight: 6,4 kg